



DRYING CABINET FOR HEAVY DUTY OVERALLS

FDC6

20 KG

FEATURES

- Drying process from the outside and inside
- Adjustable programmes
- Drying capacity of 6 large overalls equals to 20 kg
- Drying procedure hardens the impregnation
- Gentle drying without friction
- Three automatic programs and one program for timed drying
- Indoor lighting
- Detachable hangers and rocks for easier handling
- Program ends with 'cool down' to room temperature
- CE approved

OPTIONS

- Racks for gloves and boots in stainless steel
- Hangers to dry gloves and boots



Two heating
systems
- short drying
time.



Speak with a Laundry Specialist

t: 1300 222 119

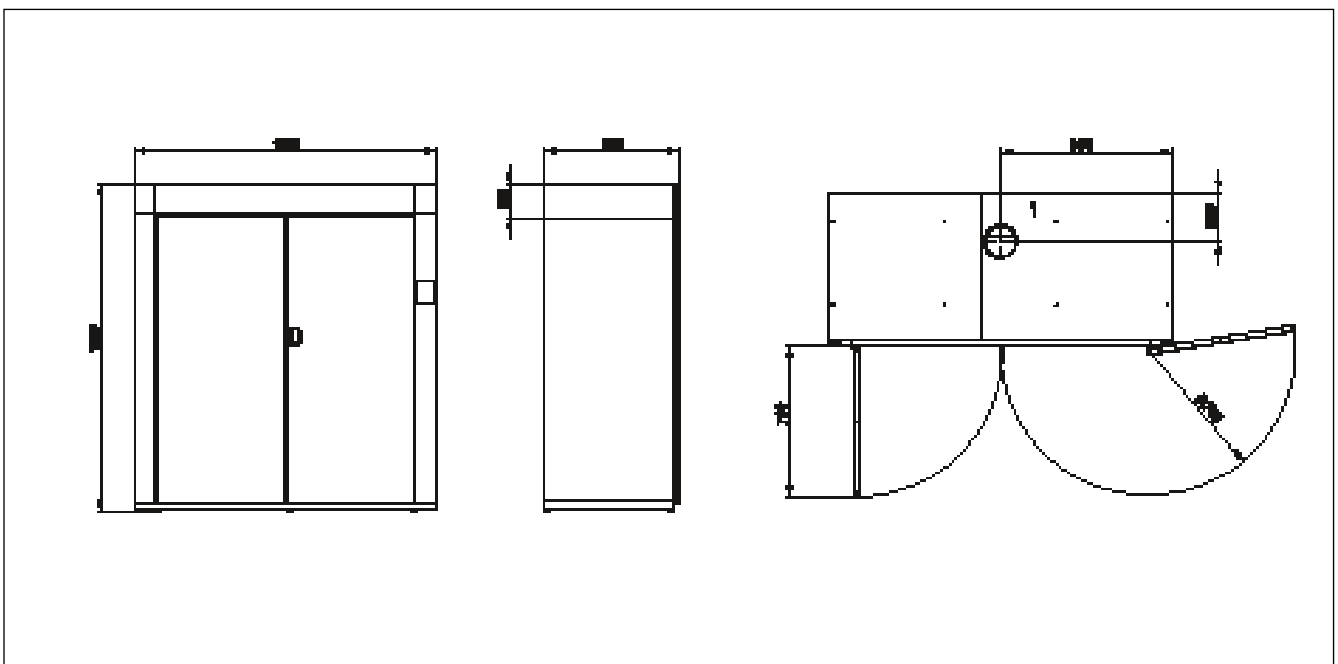
e: info@aqualogic.com.au

w: aqualogic.com.au/contact

 **Aqualogic**

FDC6	
LOADING CAPACITY (KG)	20
AMOUNT OF OVERALLS (PCS)	6
HEATING EFFECT (kW)	12
TOTAL EFFECT (kW)	12,45
ELECTRICAL CONNECTIONS	
ELECTRICAL CONNECTION	380-415V/50/60Hz/3Phase+N
FUSE (A)	20
TOTAL EFFECT (kW)	12,45
HEATING ELEMENTS (kW)	12
AIR CONNECTIONS	
OUTLET EXHAUST (MM)	Ø160
OUTLET AIRFLOW (M ³ /H)	300
SHIPPING DATA	
NET WEIGHT(KG)	200
CRATE (KG)	40
GROSS WEIGHT (KG)	240
SHIPPING VOLUME (M ³)	1,6
OPTIONAL EXTRAS	
RACK FOR GLOVES	Part number POD131008
RACK FOR BOOTS	Part number POD131009
DIMENSIONS	
WIDTH (MM)	1800
DEPTH (MM)	800
INNER HEIGHT (MM)	1752
OUTER HEIGHT (MM)	1955

*other voltages on request



Speak with a Laundry Specialist

t: 1300 222 119

e: info@aqualogic.com.au

w: aqualogic.com.au/contact

