



# HIGH-EFFICIENT SOFTMOUNT WASHER-EXTRACTORS

IY350  
35KG

IY450  
45KG

IY600  
60KG

## FEATURES

- Freestanding, high spin
- Stainless steel and partially black cabinet
- Stainless steel drum and tub
- Large door opening (Ø54 cm) for easy loading and unloading
- Large drain valves (2 x Ø 76 mm)
- Frequency controlled motor
- Heating: boiler fed + prep for steam
- Perforated lifting ribs: more mechanical action, lower water consumption
- Eco washing programs - significantly reduces water and electricity consumption
- Liquid soap print (8 signals), 13 soap inlets
- Embedded soap hopper with 5 removable compartments
- Ergonomic height of door enables easy access with trolleys
- User friendly control position regardless user's height
- USB plug on control board
- RS485 plug on the rear panel
- Bumper (front side protection)
- Manual weighing system
- SmartWAVE : optimised energy consumption while washing
- Automatic weighing system through 4 weighing cells
- Tilting system: assists operators during loading & unloading

## OPTIONS

- Liquid soap pumps
- Recycle drain valve
- Insulation for energy and noise reduction
- Extra signalization (orange light + sound)
- Steam/electric heating version
- Air operated water inlets
- Water tap
- 3rd water inlet, high inlets capacity



## CONTROL: EVOLIS ELITE

- 7", full color touch screen display with swipe function: very intuitive for users
- User-friendly screen with operating instructions built in as part of the control
- Complete control content available in 34 languages
- Wireless communication enabling programming & firmware updates through cloud
- Automated service reminders remind users to maintenance tasks
- IPSO Connect: interactive dashboard offers operational performance info on mobile device



### Touch screen control for OPL

Control with 7" touch screen featuring new connectivity and data-accessibility functionalities through cloud. 20 standard wash programmes, total memory capacity for 99 programmes.



### Optimised energy consumption while washing

The absorption ability of the load is automatically determined at the start of the cycle. Water levels are then optimized throughout the wash cycle with no compromise to the quality of the clean.

Speak with a Laundry Specialist

t: 1300 222 119

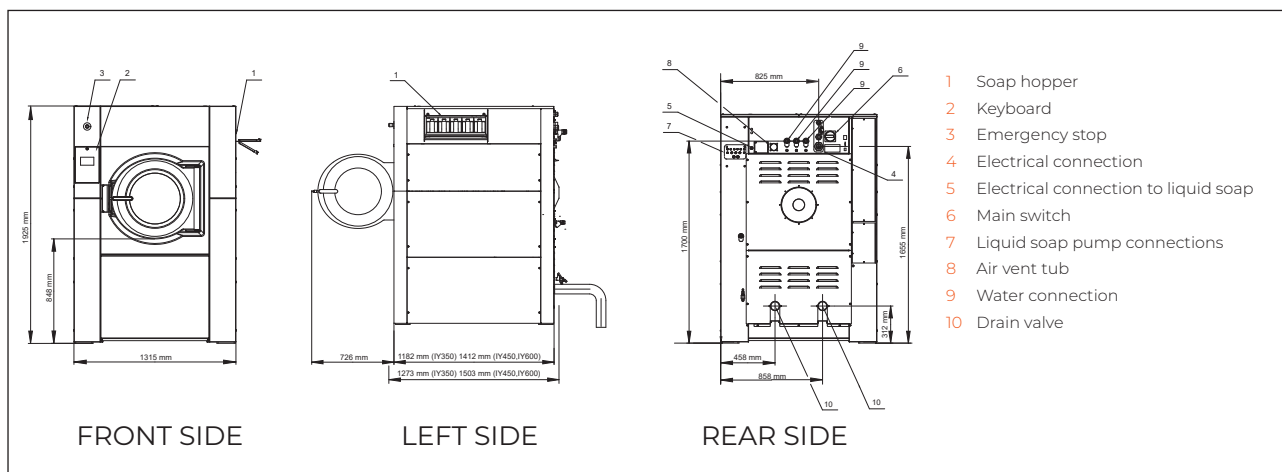
e: [info@aqualogic.com.au](mailto:info@aqualogic.com.au)

w: [aqualogic.com.au/contact](http://aqualogic.com.au/contact)



	IY350	IY450	IY600
INNERDRUM			
CAPACITY 1:10 (KG)	35	45	60
CAPACITY 1:9 (KG)	39	50	67
VOLUME (L)	351	452	601
DIAMETER (MM)	914	914	1035
DRUM SPEED			
WASH (RPM)	38	38	36
EXTRACTION (RPM)	839	839	788
G-FACTOR	360	360	360
MOTOR			
POWER (KW)	4	7,5	7,5
PROGRAMMER			
EVOLIS ELITE	standard	standard	standard
HEATING			
100% HOT WATER (°C)	90	90	90
100% ELECTRICAL (KW)	24	36	54
STEAM HIGH PRESSURE (BAR)	3-8	3-8	3-8
CONNECTIONS			
ELECTRICAL	3 x 200-240/50-60Hz 3 x 380-415/50-60Hz 3 x 440-480/50-60Hz	3 x 200-240/50-60Hz 3 x 380-415/50-60Hz 3 x 440-480/50-60Hz	3 x 200-240/50-60Hz 3 x 380-415/50-60Hz 3 x 440-480/50-60Hz
WATER INLET (MM)	2 x 25 (1")	2 x 25 (1")	2 x 25 (1")
STEAM INLET (MM)	19 (3/4")	19 (3/4")	19 (3/4")
DRAIN DIAMETER (MM)	2 x 76 (3")	2 x 76 (3")	2 x 76 (3")
TRANSPORT DATA			
GROSS WEIGHT (KG)	1170	1490	1640
GROSS WEIGHT WITH TILTING (KG)	N/A	1530	1680
NET WEIGHT (KG)	1010	1350	1500
NET WEIGHT WITH TILTING (KG)	N/A	1390	1540
DIMENSIONS H x W x D (MM)	1925 x 1315 x 1270	1925 x 1315 x 1502	1925 x 1315 x 1502
PACKING DIMENSIONS H x W x D (MM)	2125 x 1425 x 1470	2125 x 1425 x 1700	2125 x 1425 x 1700

Standard = standard version.  
The data concerning dimensions of machines include all extended parts.



Speak with a Laundry Specialist

t: 1300 222 119

e: [info@aqualogic.com.au](mailto:info@aqualogic.com.au)

w: [aqualogic.com.au/contact](http://aqualogic.com.au/contact)

