



# HIGH-EFFICIENT SOFTMOUNT WASHER-EXTRACTORS

IY180  
18KG

IY240  
24KG

IY280  
28KG

## FEATURES

- Freestanding, high spin
- 400 G extraction speed (IY180, 240)
- Stainless steel top and front panel, black side panels
- Stainless steel drum and tub
- Patented soap hopper
- High capacity water inlets (IY280)
- Large drain valve (Ø 76 mm)
- Easy access to all vital parts from the front
- Large door opening for easy loading & unloading
- Smart Drum : special textured drum further improves washing results

## OPTIONS

- Coin operated
- Stainless steel side panels
- USB plug and RS485 plug
- Liquid soap connection
- Liquid soap pumps
- Water recovery kit
- Steam heating version
- 3rd water inlet
- High capacity water inlets (IY180, IY240)
- ECO version : lower kW rating on request

## CONTROL OPTIONS

- Aries (VEND only) – easy-to-use microprocessor
- Aries Elite (OPL only) – fully programmable
- Evolis control platform
  - available in 2 versions, EVOLIS for Vend, EVOLIS ELITE for OPL
  - 7", full color touch screen display with swipe function: very intuitive for users
  - User-friendly screen with operating instructions built in as part of the control
  - Complete control content available in 34 languages
  - Wireless communication enabling programming & firmware updates through cloud
  - Automated service reminders remind users to maintenance tasks
  - IPSO Connect: interactive dashboard offers operational performance info on mobile device



### Touch screen control for OPL

Control with 7" touch screen featuring new connectivity and data-accessibility functionalities through cloud. 20 standard wash programmes, total memory capacity for 99 programmes.



### Smart Drum

The special shape of the drum holes provides extra mechanical action which leads to better washing results. The linen doesn't stick to the drum, which simplifies unloading.



### Integrated management platform

allowing analysis of financial & operational performance as well as service and maintenance organization.



### Optimised energy consumption while washing

The absorption ability of the load is automatically determined at the start of the cycle. Water levels are then optimized throughout the wash cycle with no compromise to the quality of the clean.

Speak with a Laundry Specialist

t: 1300 222 119

e: [info@aqualogic.com.au](mailto:info@aqualogic.com.au)

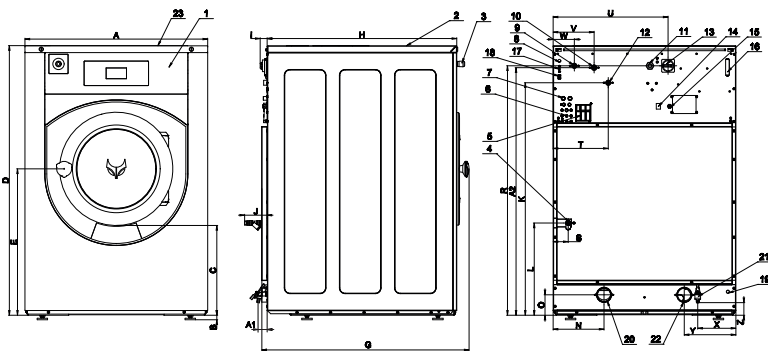
w: [aqualogic.com.au/contact](http://aqualogic.com.au/contact)



	IY180	IY240	IY280
INNERDRUM			
CAPACITY 1:10 (KG)	18	24	28
CAPACITY 1:9 (KG)	20	27	31
VOLUME (L)	180	240	280
DIAMETER (MM)	750	750	750
DRUM SPEED			
WASH (RPM)	42	42	42
EXTRACTION (RPM)	980	980	915
G-FACTOR	400	400	350
MOTOR			
MOTOR POWER (kW)	2,20	3	3
HEATING			
ELECTRICITY (KW)	12	18	21,9
STEAM (BAR)	1 - 8	1 - 8	1 - 8
HOT WATER (°C)	90	90	90
SOUND PRESSURE LEVEL (DB) (A)	< 65	< 65	< 65
WATER VALVES CONNECTION (BSP)	3/4"	3/4"	3/4"
WATER PRESSURE (KPA)	100-800	100-800	100-800
REC. WATER PRESSURE (KPA)	300-500	300-500	300-500
WATER INLET (L/MIN)	20	20	20-50
DRAIN VALVE OUTER (MM)	Ø 76	Ø 76	Ø 76
FLOW AMOUNT WITH DRAIN VALVE (L/MIN)	210	210	210
STEAM VALVE CONNECTION (BSP)	1/2"	1/2"	1/2"
STEAM PRESSURE (KPA)	100-800	100-800	100-800
TRANSPORT DATA			
GROSS WEIGHT (KG)	395	450	515
NET WEIGHT (KG)	380	430	495
PACKING DIMENSIONS H x W x D (MM)	1570 x 1025 x 1015	1570 x 1025 x 1150	1570 x 1025 x 1225

	A	B	C	D	E	F	G	H	I	J	K	L	M	N	O	P	Q
IY180	970	24	477	1430	777	335	960	872	48	90	1234	490	108,5	270	203	N/A	67
IY240	970	24	477	1430	777	335	1095	1007	48	90	1234	490	108,5	270	203	N/A	67
IY280	970	24	477	1430	777	335	1175	1087	48	90	1234	490	108,5	270	203	N/A	67
	width			height			depth										

	R	S	T	U	V	W
IY180	1324	80	293	610	218	113
IY240	1324	80	293	610	218	113
IY280	1324	80	293	610	218	113



1. Control panel
2. Soap dispenser
3. Centralstop button
4. Steam connection
5. Air relieve
6. Liquid soap connection
7. Recycled water inlet
8. Recycled water valve cable inlet
9. Cold water inlet, soft
10. Cold water inlet, hard
11. Electrical connection
12. Hot water inlet
13. Main switch/Field wiring terminal (NA models)
14. Heating change-over switch
15. Liquid soap pump electrical connection
16. Fuses
17. USB port - optional
18. PC programming connection
19. Discharge water cable inlet
20. Drain valve - 3 in. [76 mm]
21. Drain Valve - 1/2", applicable for wash bath sample (on request only)
22. Drain valve or recycle valve - 3 in. [76 mm] 280 L Models only)
23. Hidden USB port (under top cover) - standard

Speak with a Laundry Specialist

t: 1300 222 119

e: [info@aqualogic.com.au](mailto:info@aqualogic.com.au)

w: [aqualogic.com.au/contact](http://aqualogic.com.au/contact)

