



## COMMERCIAL STACK DRYER/DRYER FOR VENDED LAUNDRY APPLICATIONS

### CDS10GC

8,2KG

### FEATURES

- **Superior airflow**  
Fast-drying results with advanced airflow pattern
- **Large capacity**  
Large 7.0 ct. ft. cylinder
- **Time savings**  
Large, easy-clean lint filter is located upfront
- **Space savings**  
Stack dryer offers two dryers in the space of one
- **10° tilted control panel**

### CONTROL

- **Micro-Display Control (MDC)**
  - Digital display shows vend price
  - Four cycle options
  - Cycle time countdown
  - LED progress indicators



Speak with a Laundry Specialist

t: 1300 222 119

e: [info@aqualogic.com.au](mailto:info@aqualogic.com.au)

w: [aqualogic.com.au/contact](http://aqualogic.com.au/contact)

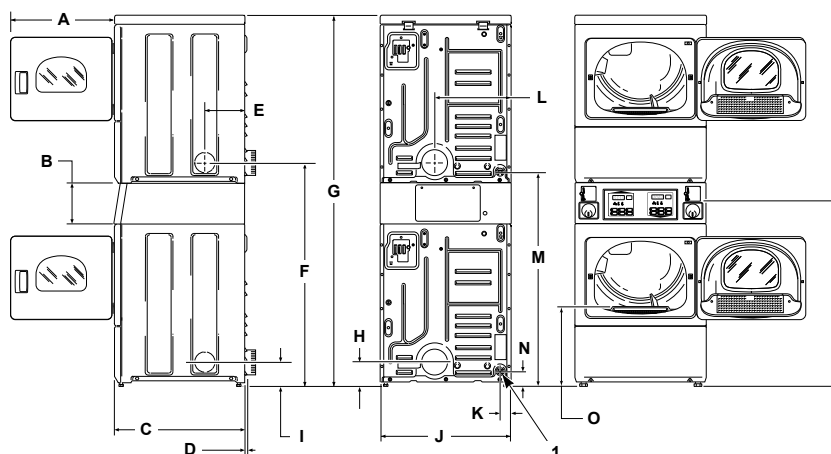


CDS10GC - gas	
MODEL NUMBER	BSGBXAGW303AW01
CONTROL	MDC
CONTROL LOCATION	10° front
DRUM	
CAPACITY (KG)	8,2
CYLINDER VOLUME (L)	198
DRUM SPEED	
G-FORCE	440
SPIN SPEED (RPM)	1200
MOTOR	
POWER (KW)	0,25
CABINET	
CYLINDER FINISH	galvanized
COLOUR	white
DOOR TYPE	window
HEATING	
HEAT SOURCE	gas
HEATING POWER (BTU)	25 000
CONNECTION	
GAS INLET CONNECTION (MM)	9,5
EXHAUST OUTLET DIAMETER (MM)	102
EXHAUST AIRFLOW (LITERS/SEC)	105
OPERATION	
CYCLES	4
CYCLE INDICATOR LIGHTS	yes
POWER	
ELECTRICAL REQUIREMENTS	10AMP dryer- X2-240V / 50Hz / 1ph
TRANSPORT DATA	
GROSS WEIGHT (KG)	32
NET WEIGHT (KG)	125
DIMENSIONS H X W X D (MM)	1986 x 683 x 711
PACKING DIMENSIONS H X W X D (MM)	2032 x 762 x 864
VOLUME (m <sup>3</sup> )	1,34

\* heights may slightly vary, depending on the leveling adjustments

(mm)	A	B	C	D	E	F	G*	H*	I*	J	K	L	M*	N*	O*	P*
CDS10GC	597	213	711	11	203	1184	1986	102	114	683	60	391	1140	70	392	994

\* with leveling legs turned into base  
Exhaust openings are 102 mm metal ducting



1. 3/8 in. NPT gas connection

Speak with a Laundry Specialist

t: 1300 222 119

e: [info@aqualogic.com.au](mailto:info@aqualogic.com.au)

w: [aqualogic.com.au/contact](http://aqualogic.com.au/contact)

