



HIGH-SPIN HYGIENIC BARRIER WASHER-EXTRACTORS

IB700
70KG

IB900
90KG

IB1100
110KG

IB1400
140KG

IB1800
180KG

FEATURES

- Freestanding, high spin
- Stainless steel cabinet
- Stainless steel drum and tub
- MICRO - new graphic display with almost unlimited possibilities as:
 - communication interface enabling remote service
 - multilingual microprocessor
 - freely programmable
- Oversized frame, bearings and drum
- Large door opening for easy loading and unloading
- Large drain valve (Ø 126 mm)
- Easy access to all parts
- Frequency controlled motor
- Perforated lifting ribs: more mechanical action, lower water consumption
- Standard Y-pocket (3 pockets) drum on IB1100, IB1400, IB1800
- Standard Pullman (2 pockets) drum on IB700, IB900
- Eco-friendly washing programs - significantly reduces water and electricity consumption
- Soap dispenser with 5 removable compartments (10 compartments on IB1800)
- Automatic door positioning



OPTIONS

- Liquid soap pumps
- Drum with 2 pockets on IB1100, with 3 pockets on IB700, IB900
- Water sample tap
- Light and sound signalisation of end of washer cycle
- Second display
- Horizontal door



HYGIENIC
SOLUTION



LARGE DOOR
OPENING



STAINLESS
STEEL IDENTITY

Speak with a Laundry Specialist

t: 1300 222 119

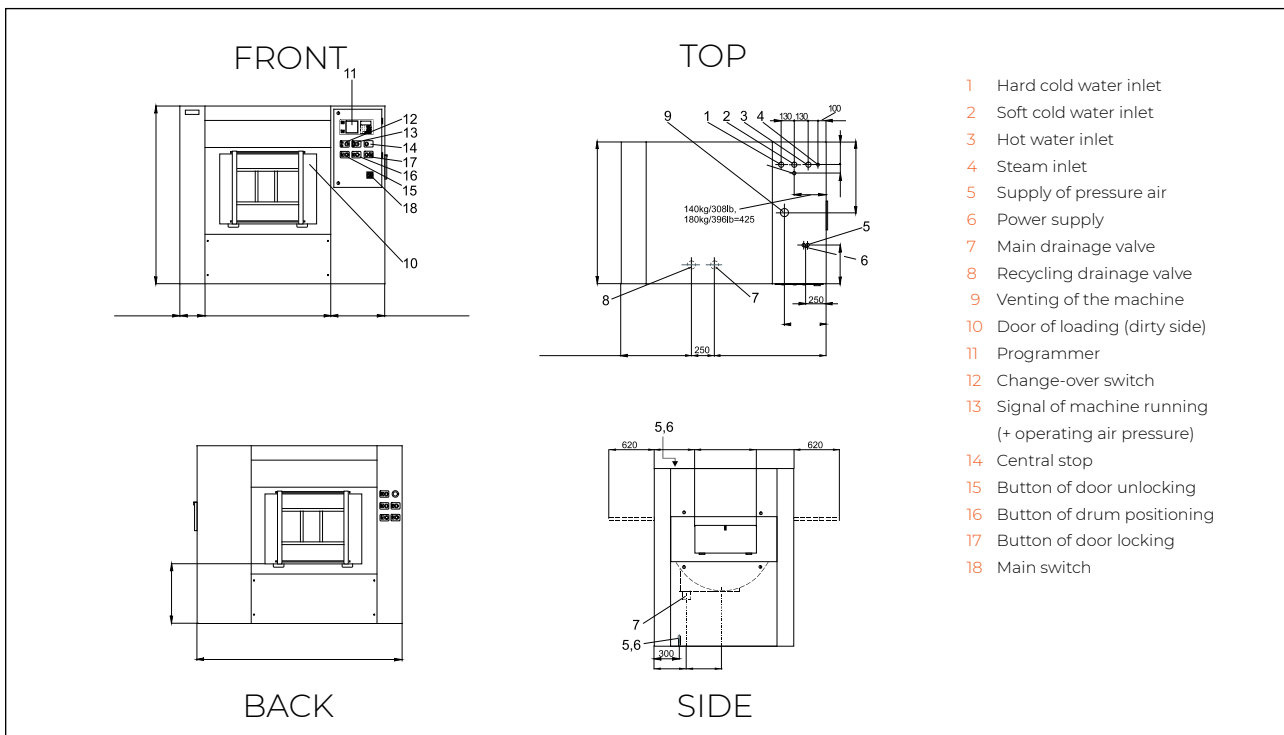
e: info@aqualogic.com.au

w: aqualogic.com.au/contact

 **Aqualogic**

	IB700	IB900	IB1100	IB1400	IB1800
DRUM					
CAPACITY 10:1 (KG)	70	90	110	140	180
CAPACITY 9:1 (KG)	78	100	122	156	200
VOLUME (L)	700	900	1100	1400	1800
DRUM DIAMETER (MM)	1000	1000	1100	1200	1300
POCKETS	standard 2 optional 3	standard 2 optional 3	standard 2 optional 3	standard 3	standard 3
MOTOR					
FREQUENCY CONTROLLED	standard	standard	standard	standard	standard
DRUM SPEED					
WASH SPEED (RPM)	36	36	35	33	36
EXTRACTION SPEED (RPM)	800	800	754	720	695
G-FACTOR	360	360	350	350	350
HEATING					
ELECTRICAL ADDITIONAL HEATING (KW)	54	54	72	72/96	-
STEAM HEATING (BAR)	6-8	6-8	6-8	6-8	6-8
CONNECTIONS					
ELECTRICAL	3 x 380-480V/50-60Hz 3 x 200-240V/50-60Hz	3 x 380-480V/50-60Hz 3 x 200-240V/50-60Hz	3 x 380-480V/50-60Hz 3 x 200-240V/50-60Hz	3 x 380-480V/50-60Hz 3 x 200-240V/50-60Hz	3 x 380-480V/50-60Hz 3 x 200-240V/50-60Hz
WATER INLET (MM)	3 x 1,5" + 1 x 3/4"	3 x 1,5" + 1 x 3/4"	3 x 1,5" + 1 x 3/4"	3 x 1,5" + 1 x 3/4"	3 x 1,5" + 1 x 1"
STEAM INLET (MM)	1"	1"	1"	1"	1"
COMPRESSED AIR INLET (MM)	Ø10	Ø10	Ø10	Ø10	Ø10
DRAIN DIAMETER (MM)	Ø126	Ø126	Ø126	Ø126	Ø126
TRANSPORT DATA					
GROSS WEIGHT (KG)	2760	2970	3150	3760	5310
NET WEIGHT (KG)	2600	2810	2990	3550	4990
DIMENSIONS H x W x D (MM)	1805 x 2025 x 1615	1805 x 2275 x 1615	1855 x 2325 x 1615	2075 x 2435 x 1805	2165 x 2585 x 1905
PACKING DIMENSIONS H x W x D (MM)	1985 x 2100 x 1740	1985 x 2355 x 1740	1986 x 2400 x 1740	2250 x 2485 x 1940	2265 x 2665 x 2040
VOLUME (M ³)	7,3	8,1	8,7	10,8	12,3

* Tested in accordance of EN604-56 norm.
The data concerning dimensions of machines include all extended parts.



Speak with a Laundry Specialist

t: 1300 222 119 e: info@aqualogic.com.au w: aqualogic.com.au/contact

